

M3903

NAME _____

JACK NO. _____ EXTENSION NO. _____

3903 TELEPHONE LINE OR AUTO

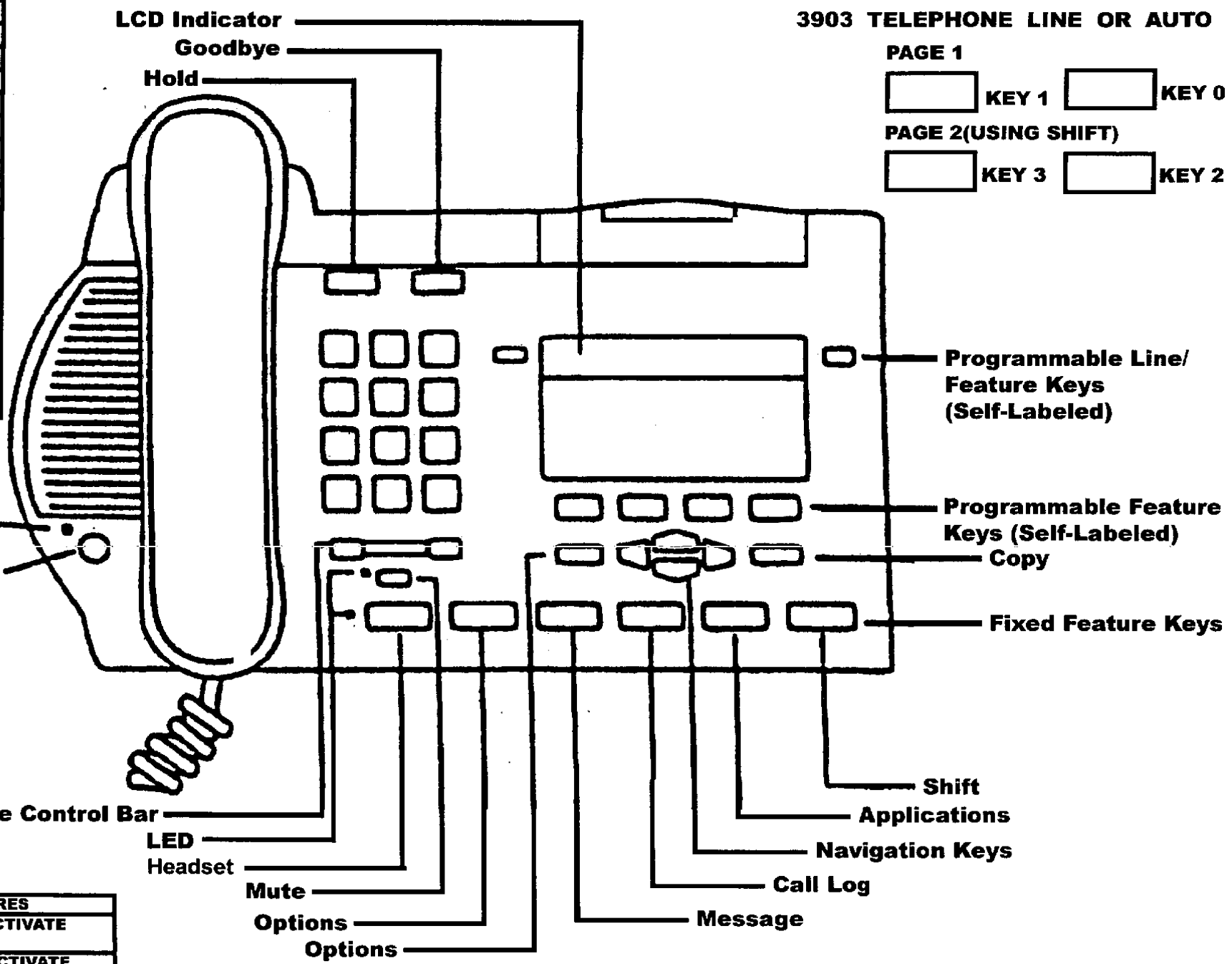
PAGE 1

KEY 1 KEY 0

PAGE 2(USING SHIFT)

KEY 3 KEY 2

3903 FEATURE KEYS	
KEY 16	<input type="checkbox"/> MWK <input type="checkbox"/> NONE
KEY 17	<input type="checkbox"/> TRN <input type="checkbox"/> NONE
KEY 18	<input type="checkbox"/> A06 <input type="checkbox"/> NONE
KEY 19	<input type="checkbox"/> CFW <input type="checkbox"/> NONE
KEY 20	<input type="checkbox"/> RGA <input type="checkbox"/> NONE
KEY 21	<input type="checkbox"/> PRK <input type="checkbox"/> NONE
KEY 22	<input type="checkbox"/> RNP <input type="checkbox"/> NONE
KEY 23	<input type="checkbox"/> SCC <input type="checkbox"/> NONE
	OR
	<input type="checkbox"/> SCU <input type="checkbox"/> NONE
KEY 24	<input type="checkbox"/> PRS <input type="checkbox"/> NONE



ADDITIONAL FEATURES	
HANDSFREE FEATURE	ACTIVATE
<input type="checkbox"/> YES <input type="checkbox"/> NO	
LAST NUMBER DIALED	ACTIVATE
<input type="checkbox"/> YES <input type="checkbox"/> NO	

FEATURE CODES AND DEFINITIONS

DN	DIRECTORY NUMBER
TRN	CALL TRANSFER
CFW	CALL FORWARD
A06	6 PARTY CONFERENCE
SCC	SPEED CALL CONTROLLER
SCU	SPEED CALL USER
RGA	RING AGAIN
PRK	CALL PARK
MWK	MESSAGE WAITING KEY
PRS	PRIVACY RELEASE